

MIL-ODF WITH FALCON™ JR-SQ 2-12 CHANNELS

Produktblad
MIL-ODF FALCON JR SQ

V2.0, 2021-06-03

Micropol Fiberoptic AB
Älvdalsvägen 4
313 50 Åled

Phone: +46 (0)35 17 85 39
Mail: info@micropol.com

RUGGED ODF BOXES FOR ROUGH CONDITIONS AND VIBRATIONS

Micropol Military ODFs (Optical Distribution Frame) are used as connection panels in fiber optic cable systems. We manufacture and supply customized cable systems with rugged, high-quality field cables that can resist shaky environments with a lot of vibrations, as well as Antarctic ice and Saharan heat.

The ODF is modular and has several configurations with adapters and FALCON connectors. It's possible to stack several panels on each other to save space in vehicles and racks.

Size and color are adjustable. It is also possible to mount active copper into the ODF.



FEATURES

- Operating temperature -55°C to +85°C
 - IP67
 - EMC/EMI
 - Tailor-made
 - Vehicle approved by Swedish Armed Forces
 - Modular
1. FALCON™ JR-SQ
 2. Adapter, MIL LC Duplex Metallic
 3. MIL-ODF
 4. Bracket holder (incl. in the delivery)

ODF Panel	Measurements box	Measurements equipped box (max)	Weight	Material	Color	Fibers
19"/2	180x220x44 mm	230x220x44 mm	1000g	SS-EN 6082 (Alu)	Green RAL 6031-F9	2-12
19"/4	140x110x44 mm	190x110x44 mm	530g	SS-EN 6082 (Alu)		



ACCESSORIES

- Mounting plate for cover to assemble 2x 19.
- Mounting bracket to fasten ODF onto 19" rack.
- Mounting plate for side to give more space between the mounting bracket and ODF.
- Torx.
- Additional screws M4x6.
- Green plastic case.
- User manual.

FALCON™ JR-SQ

The FALCON connectors has the best optical performance on the market. This is achieved with Micropol's lens technology, state of the art production and alignment process.

The FALCON expanded beam connector JR-SQ is the only junior sized connector in the world with a range from 1- 12 fibers, that have approved beam size according to MIL-M83526/20&21.

Like the other connectors in the FALCON-family, it is compatible with other junior-size expanded beam connectors on the market.

FEATURES

- Built according to MIL-M83526/20&21
- Advanced expanded beam technology
- Hermaphroditic interconnection
- 1 to 12 fiber channels single-mode or multi-mode
- No adaptors needed
- Low downtime field repair
- Easy clean, no special tools

COMPATIBLE WITH:

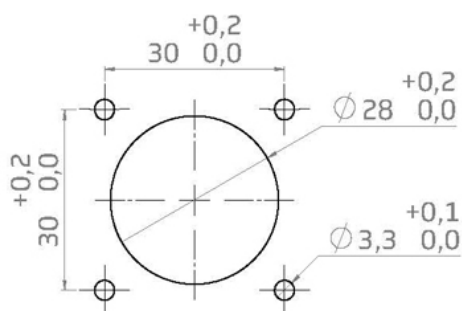
FIBRECO JUNIOR

QPC Q-MINI

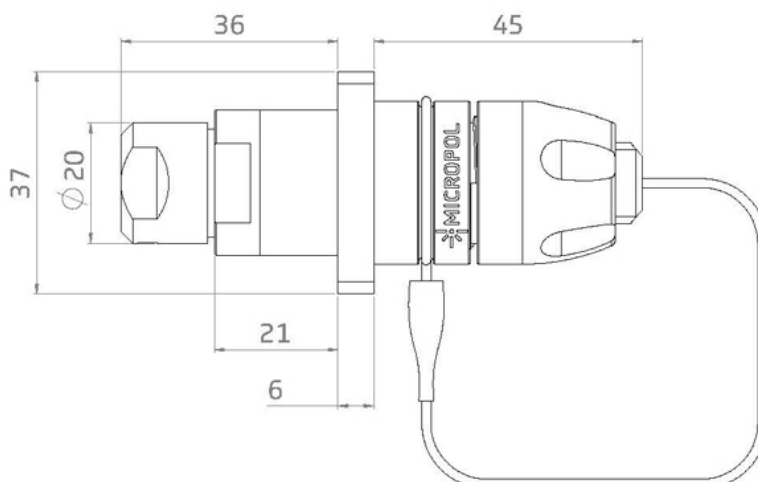
TE PRO-BEAM Junior

Amphenol TacBeam

Stratos HMA



RECOMMENDED PANEL CUT-OUT



FALCON™ JR-SQ

Optical

Type	Single-mode (SM), Multi-mode (MM) or hybrid
Insertion Loss (SM)	Typical insertion Loss -0,8dB (1310 nm) Maximum insertion Loss -1,2dB (1310 nm)
Insertion Loss (MM)	Typical insertion Loss -0,8dB (1300 nm) Maximum insertion Loss -1,0dB (1300 nm)
Return loss	>35dB at 1310nm or 1550nm Polarization Dependent Loss less than 0,35dB

Mechanical

Coupling type	Hermaphroditic
Compliant	ROHS & REACH
Material	Hard anodized aluminum
Alternative material	Marine bronze & stainless steel
Colour	Gray
Durability	3000 mating cycles
Free fall	500 falls from 1,2 meters height
Vibration	5-500Hz, 0,75mm amplitude at 10G
Shaking	390 m/S numbers of shakes 3x4000
Shock pulse length	11ms, half sine at 35g Numbers of axis: 3 (x, y, z)
Recommended wall thickness	2-3 mm

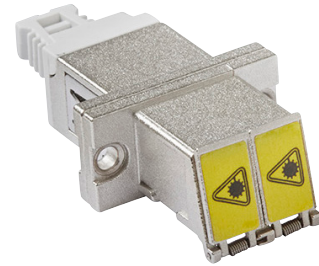
Enviromental

Operating Temperature	-57°C to +85°C, +100°C optional
Water Immersion	IP67
Air pressure	<25kPa -55°C during 4h
Corrosion resistance	500h salt spray
Flammability	DOD-STD-1678, method 5010

ADAPTER - MIL LC DUPLEX METALLIC

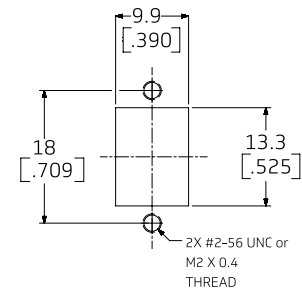
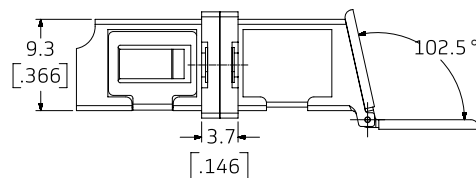
Adapter MIL LC DUPLEX meet the growing demand for small form factor and high-density fiber optic connectivity.

Adapter MIL LC DUPLEX reduce space requirements by 50%, over 2.50mm ferrule connectors, without sacrificing performance. The adapter has both snap-mount and screw-mount, ceramic alignment sleeve and are also provided with safety shutters on one side to help prevent eye injuries, and protection against dust and debris.

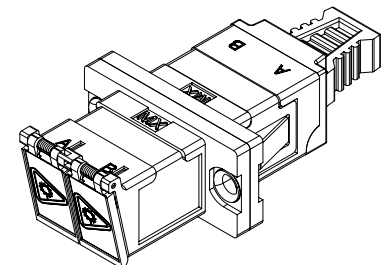
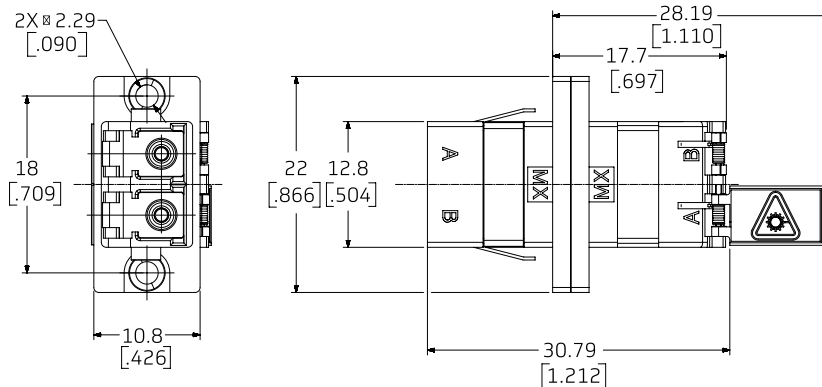


LC/LC

- Adapter MIL LC DUPLEX in metal with ceramic alignment sleeve.
- Operating temperature -40 — +85 °C
- Duplex version
- Screw-mount and snap-mount
- Metal housing provide Electro Magnetic Interference (EMI) protection
- Optimizes insertion loss performance
- Press-to-release design for ease-of-use
- Tested to Telcordia GR-326 and Compliant to TIA/EIA-604-10A (FOCIS-10)



RECOMMENDED MOUNTING CUTOUT FOR 1.60 [.063] THICK PANEL



1. ALL DIMENSIONS ARE FOR REFERENCE ONLY.